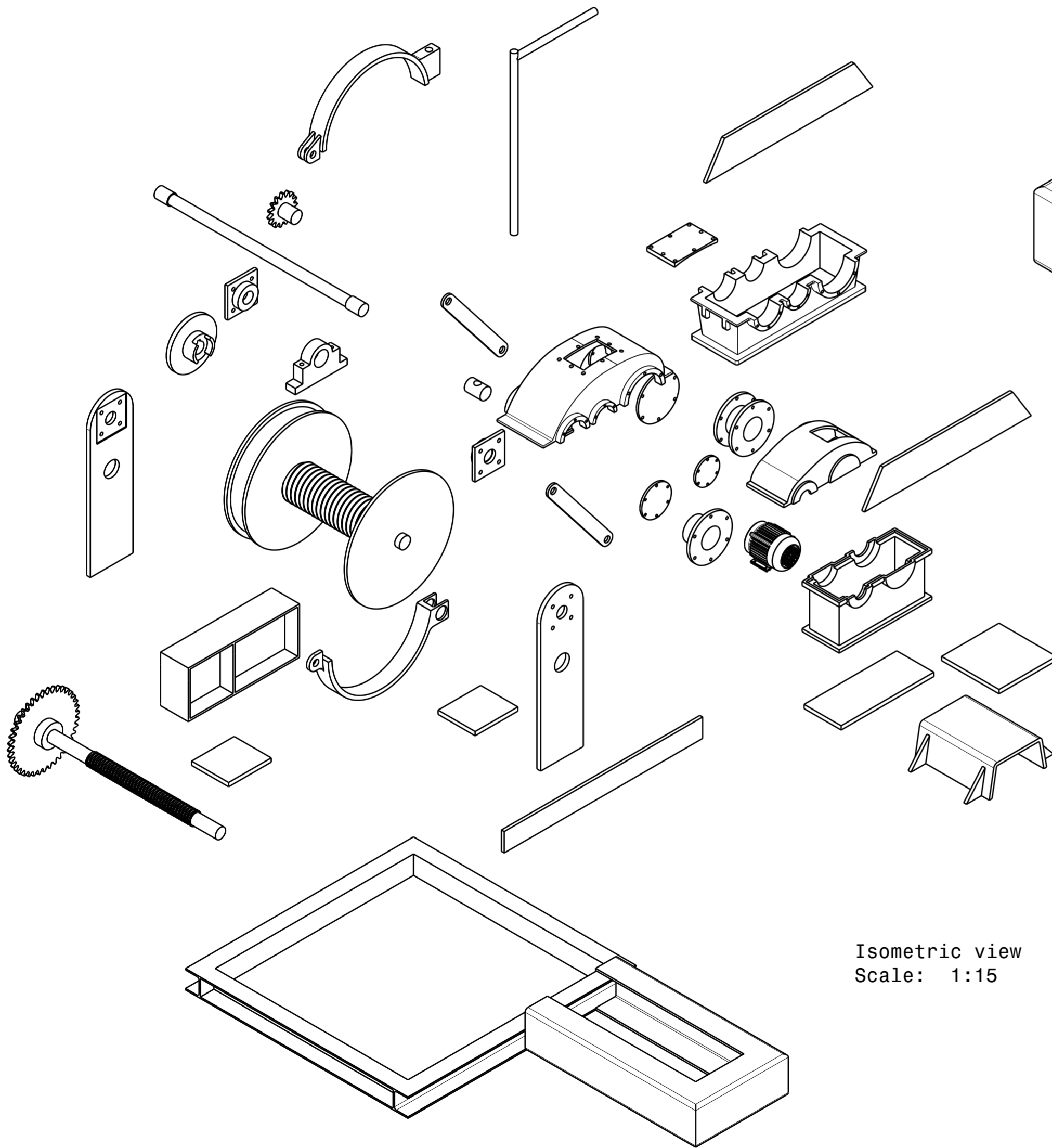
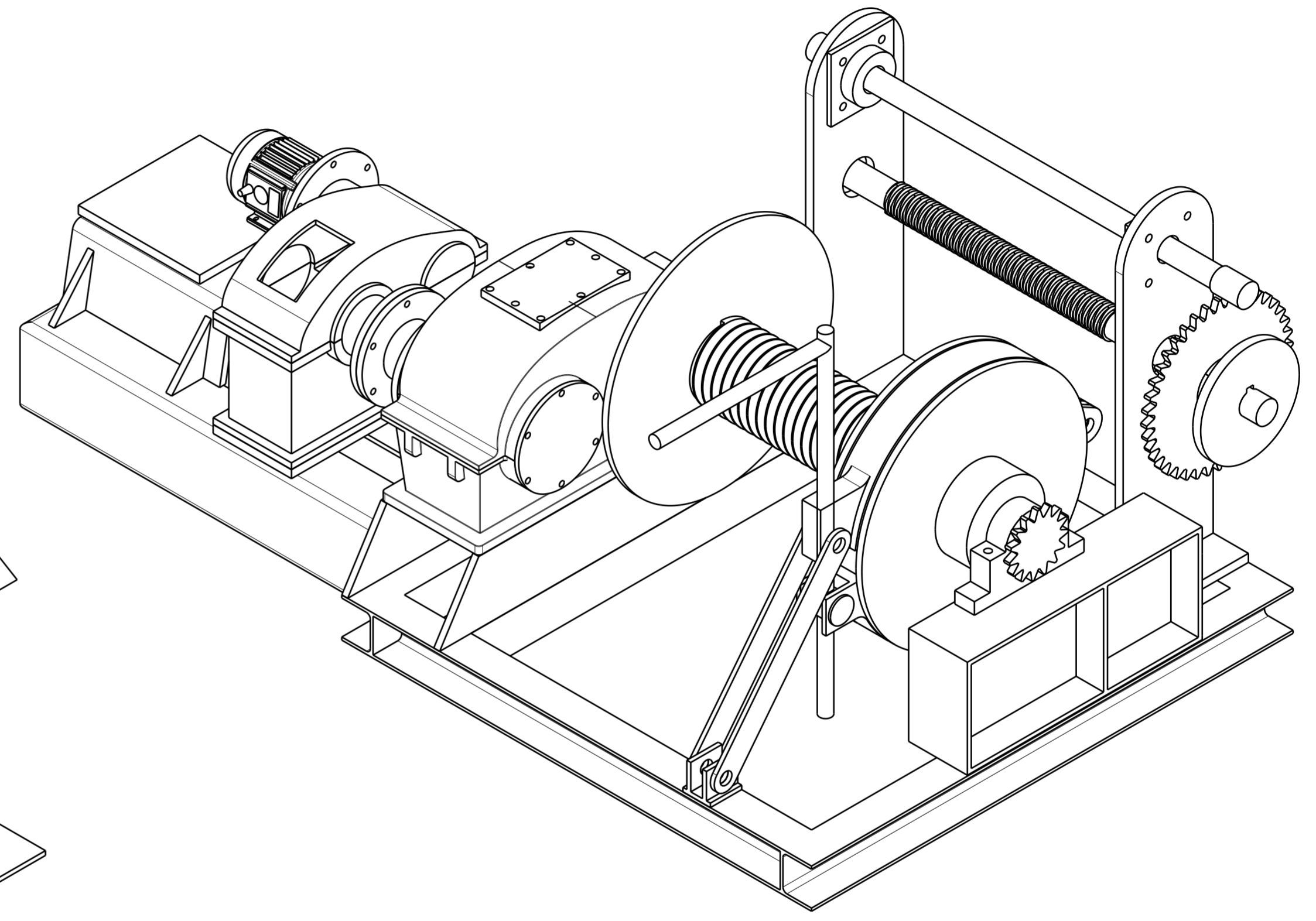


H G F E D C B A

REVISION			
REV	DESCRIPTION	DATE	DRAWN



Isometric view  
Scale: 1:15



Isometric view  
Scale: 1:8

<b>Project</b>			<b>Taskmaster</b>			
xxx						
<b>Drawn</b>	<b>Data</b>	<b>Name</b>	<b>QC</b>			
99/06/15	xxx	xxx				
<b>Checked</b>			<b>DATA</b>			
<b>Approved</b>						
<b>All Dimansions are in mm</b>						<b>Title</b>
<b>Size</b>	<b>Scale</b>	<b>ISO</b>	xxx			
A4	1:1	ISO				
<b>Sheet NO :</b>			<b>ITEM</b>	<b>Assembly</b>	<b>QTY</b>	<b>SHEET</b>

H G B A